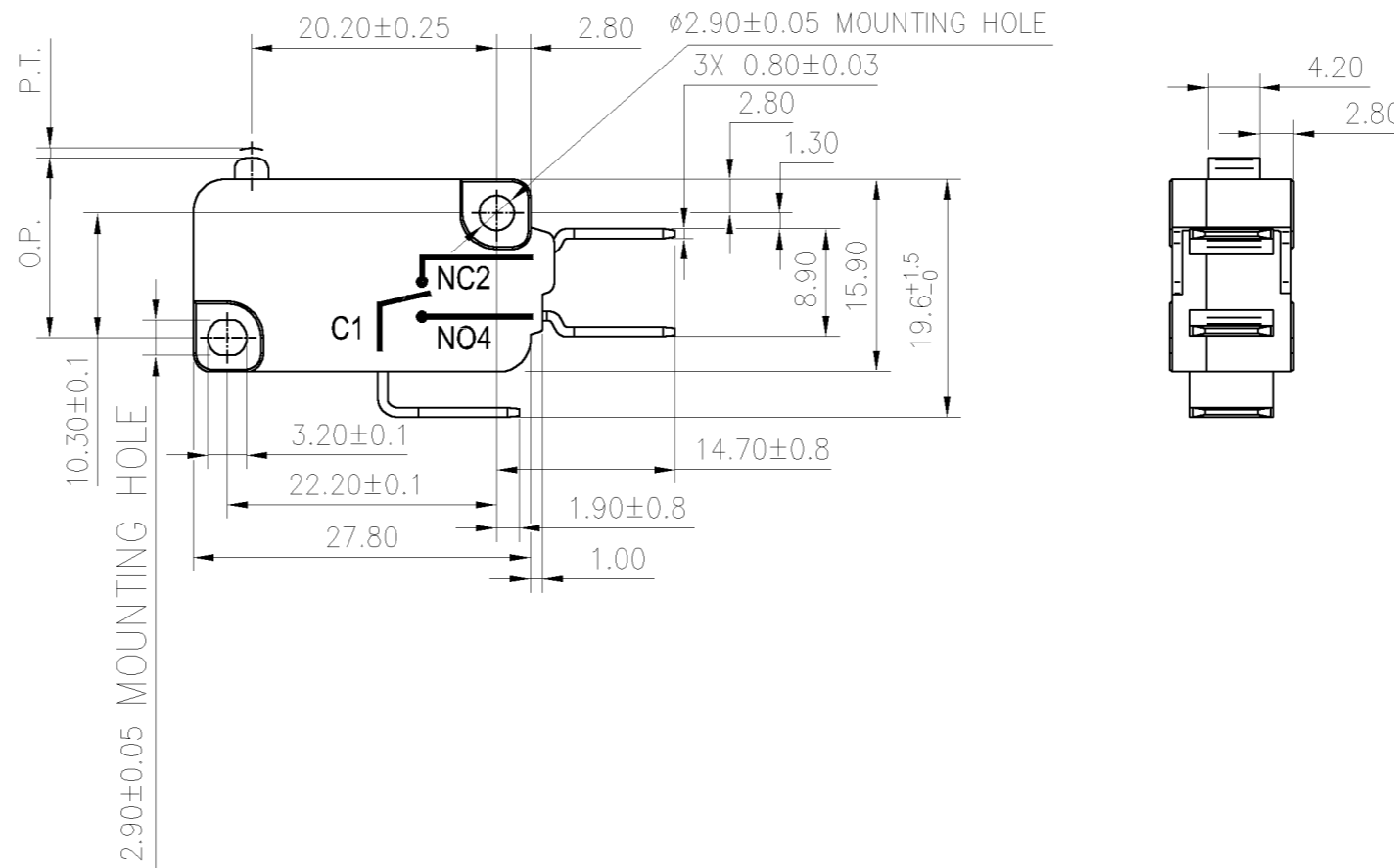
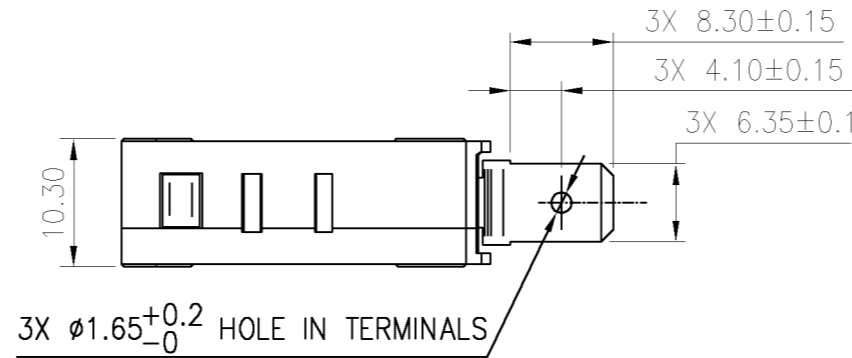





HONEYWELL PART NUMBER
V15H16-CZ100-K
PRODUCT CODE
CFW2046

REV	DOCUMENT	CHANGED BY	CHECK
A	0038670	VS 10APR08	BLR



NOTES:

- TERMINALS WILL ACCEPT 6.35mm WIDE QUICK CONNECT RECEPTACLES AND COMPLY WITH EN61058-1 REQUIREMENTS.

<b>CHARACTERISTICS</b> OPERATING FORCE: 100gf MAX. DIFFERENTIAL FORCE: RELEASE FORCE: 25gf MIN. FREE POSITION: OPERATING POSITION: 14.7±0.5MM. PRE-TRAVEL: 1.6MM MAX. DIFFERENTIAL TRAVEL: 0.4MM MAX. OVER-TRAVEL: 0.8MM MIN. FULL OVERTRAVEL FORCE:		<b>ELECTRICAL DATA</b> CONTACT ARRANGEMENT S.P.D.T  16(4)A 250V~ 25T150 µ 5E4  16A 1/2HP 125/250VAC		DESIGN UNITS: MM TOLERANCES UNLESS NOTED: NO PLACE X ± ± ONE PLACE .X ± ± TWO PLACE .XX ± ± 0.40 THREE PLACE .XXX ± ± ANGLES X ± ± 2° THIRD ANGLE PROJECTION 		DRAWN KSR 01APR08 CHECK RJ 01APR08 THIS DRAWING COVERS A PROPRIETARY ITEM AND IS THE PROPERTY OF HONEYWELL. THIS DRAWING IS NOT TO BE COPIED OR USED WITHOUT THE PERMISSION OF HONEYWELL. INTERPRET PER ASME Y14.5M-1994 OTHER HONEYWELL ENGINEERING STANDARDS MAY APPLY AutoCAD		<b>Honeywell</b> TITLE SWITCH - BASIC SIZE B TYPE I CAGE CODE DRAWING NAME V15H16-CZ100-K REV A SCALE NTS SHEET 1 OF 1				
---	--	---	--	--	--	--	--	---	--	--	--	--